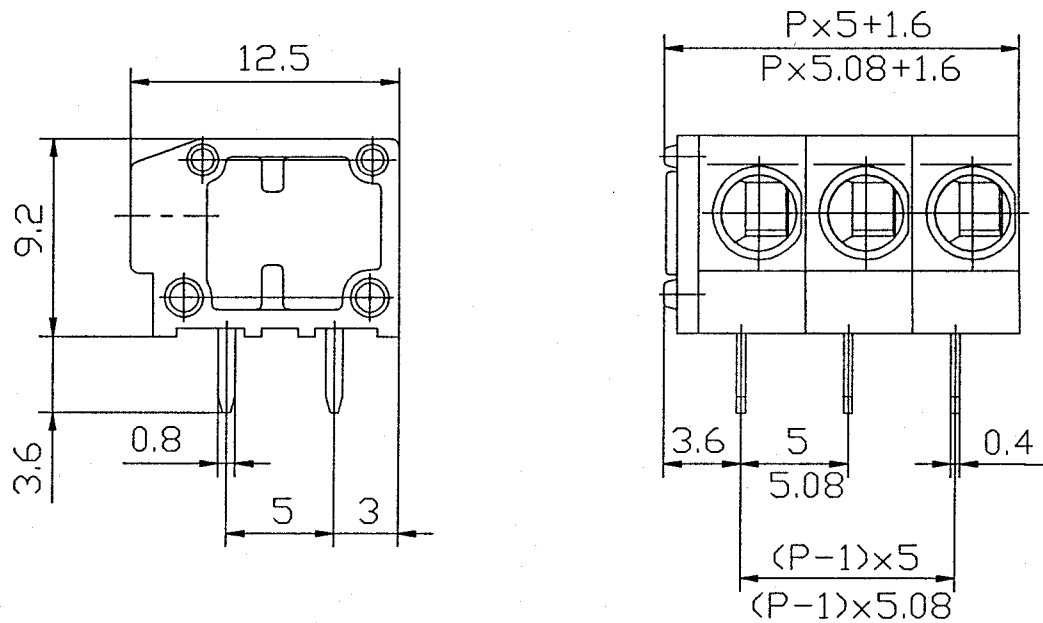


**Ratings:**  
 Current 10A  
 Voltage 300 V  
 Wire Size 20-14AWG  
 Test Voltage 2.0 kV

**Rated Cross Section:**  
 Single Wire (solid) 2.5mm<sup>2</sup>  
 Stranded Wire (flexible) on request  
 Stranded Wire with Ferrules on request

**Dimensions:**  
 Spacing 5.0mm  
 PCB Hole Diameter 1.0mm  
 Stripped Length 9.0mm

**Materials:**  
 Insulating Material PA  
 Flammability UL94V-0  
 Temperature -30°C/+105°C  
 Tension Spring Stainless Steel  
 Contact Cu  
 Color Slade Gray



Part Number  
**ED(Z)4100/[\*][\*]**  
 \* - NUMBER OF POSITIONS

Units  
 mm

Drawing

Reviewed

Approved

Date  
 3/23/99  
 Sheet 1 of 1  
 Rev. A